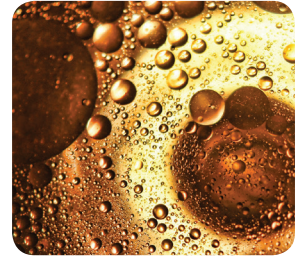
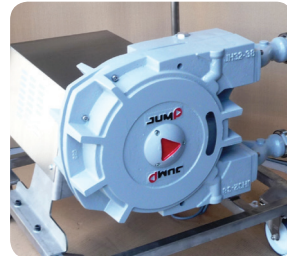
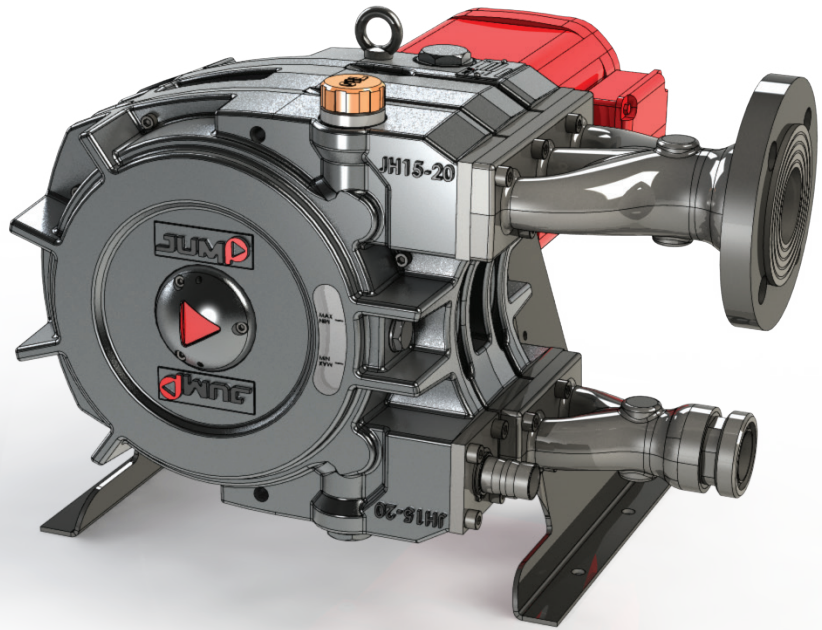
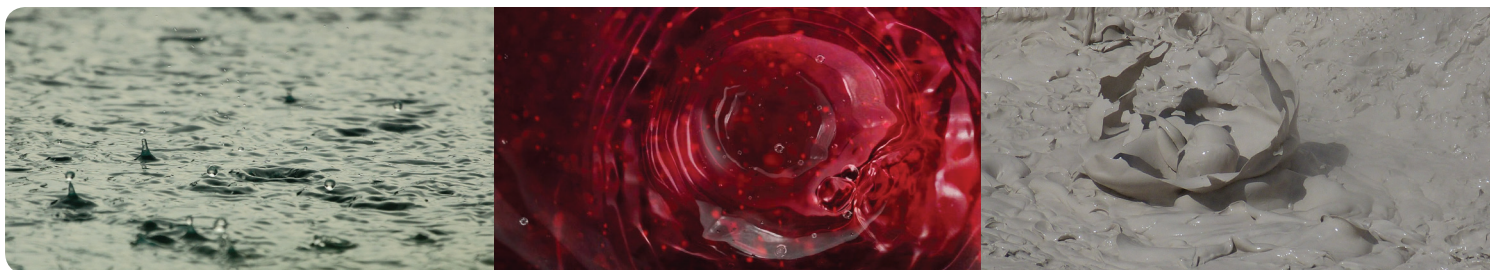


# JH Series

(Jump Hose)





## Application areas

Various in many sectors



### Food industry

Fruit puree transfer, sauces, wine, food waste, etc.



### Cosmetics, chemical industries

Perfumes, cosmetic creams and pastes, solvents, etc.



### Construction industry

Cement transfer, slurries, waste water with or without solid content, etc.



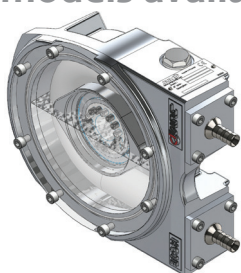
### Pulp and paper industries

Glues, varnish etc.

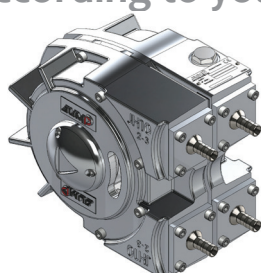
## Operation principle

The principle is based on the alternative compression and decompression of the flexible hose mounted into the pump body creating a continuous suction and priming of the fluid pumped.

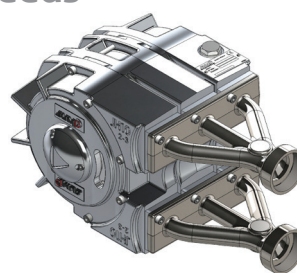
Different models available according to your needs



JH Simple (S)



JH Double (D)



JH Triple (T)

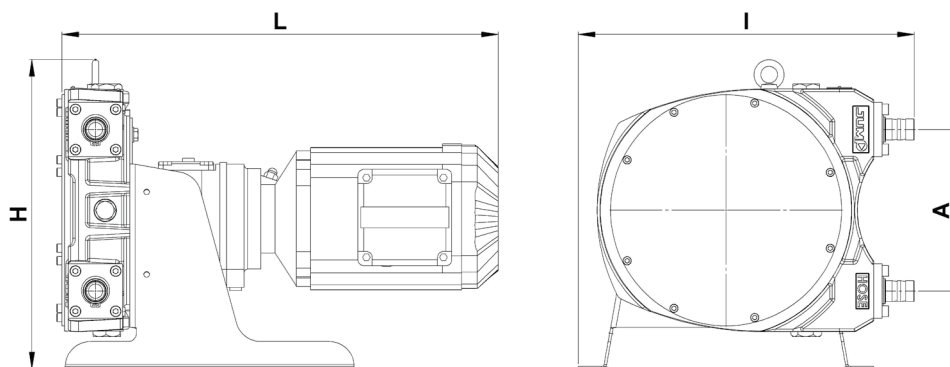
## Characteristics

		JH10	JH15	JH20	JH25	JH32
Pumping technology		Peristaltic				
Sealing technology		Elastomer hose + insert				
Cylinder capacity*	L	0,025	0,085	0,138	0,3	0,625
Speed (max.)	Rpm	120	120	100	160	140
Flowrate (max.)*	m <sup>3</sup> /h	0,18	0,612	0,828	2,88	5,25
Differential pressure (max.)	bar	8	8	8	15	15
Minimum operating temperature	°C	0				
Maximum operating temperature	°C	80				
Weight (bare shaft pump)	Kg S	5	14	14	69	125
	D	11	26	26	124	211
	T	16	36	36	176	293
Dimensions**	mm L	500	520	520	580	650
	I	280	400	400	560	800
	H	250	370	370	530	550
	A	115	193	193	262	330
DN		10	20	20	25	40
ATEX		Yes				

\* Multiply by 2 for double JH pumps and by 3 for triple JH pumps.

\*\* Dimensions for JH Simple. For JH Double and JH Triple, please contact us.

## Dimensions



## Materials

	JH 10 -> 20	JH 25 -> 125
Body	Aluminium	Ductile iron
Wheel	Aluminium	Ductile iron
Shoes	Aluminium	
Hose	NR, EPDM, NBR, NR FDA	
Inserts	316L Stainless steel, PPH, PVDF	
Collectors	316L Stainless steel, PPH, PVDF	
Seals	NBR	
Screws	Stainless steel	
Lubrication	Oil	

## Options

- Fitting flanges ISO PN16 or PN20, barbed, Clamp, SMS, MACON, RJT, CAM-Lock, DIN, threaded...
- Leak detector
- Vacuum kit

JH38	JH40	JH50	JH60	JH65	JH80	JH100	JH125
0,861	1,41	2,95	3,71	6,7	11	21,6	36,6
140	100	90	90	70	60	45	40
7,23	8,46	15,93	20,03	28,14	39,6	58,3	87,8
15	15	15	15	15	15	15	15
125	168	352	352	615	924	1265	2116
211	302	662	662	1116	1674	2298	3933
293	433	920	920	1598	2375	3333	5636
650	748	835	835	961	1177	1141	1469
800	800	1022	1022	1225	1506	1655	1925
550	745	977	977	1196	1382	1588	1934
330	430	554	554	746	876	1040	1280
40	40	50	65	65	80	100	125

**Illustrations**

The **+**

Transferring a wide range of products with or without high solid content

Fully sealed

Self-priming

Capability to run dry

Reversibility

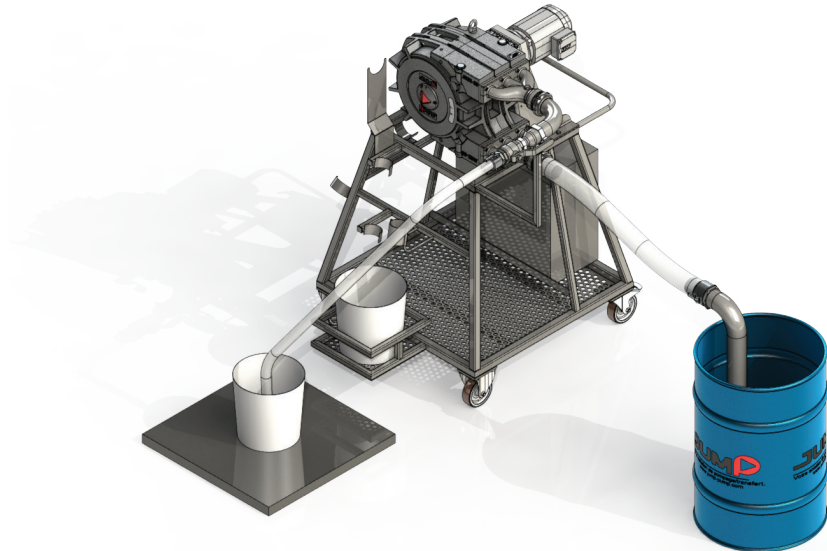
Double or Triple

Transfer and/or mixing of two or more products

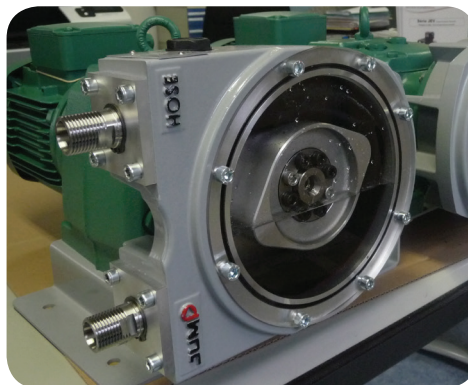
Reduced pulsations

Energy saving

ATEX



*JH38 triple pump mounted on a customized trolley for honey transfer.*



*JH10 simple pump on stationary chassis*



*JH38 triple pump on stationary chassis*